

## Micrometer Head

### Micrometer Heads SERIES 152 — XY-Stage Type

- Designed for cross-travel stage translation in the X and Y axes. Bidirectional graduation for easy reading in both directions.

#### SPECIFICATIONS

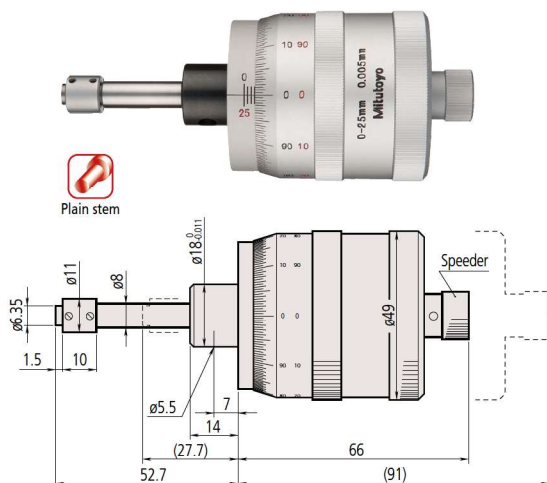
##### Metric

Code No.	Range (mm)	Graduation (mm)	Graduation features	Stem dia. (mm)	Stem	Spindle pitch (mm)	Maximum permissible error $J_{MPE}$ ( $\mu\text{m}$ )
152-390	0 - 25	0.005	for Y axis, bidirectional	18	Plain	1	$\pm 2$
152-389							

- Measuring face: Material/Carbide tip (**152-389/390** are alloy tool steel), Hardness/90 HRA or more (**152-389/390** are 60 HRC or more), Lapped
  - Scale finishing: White anodized aluminum
- Note: Refer to page 03-49 for details of the recommended maximum loading limit.

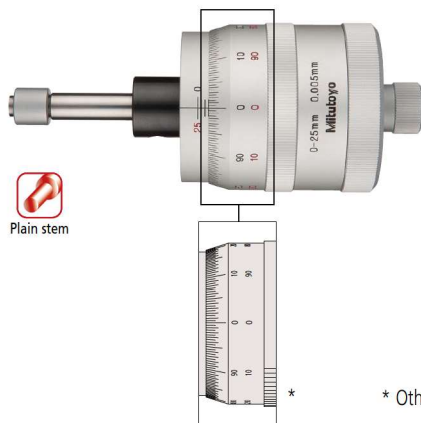
#### DIMENSIONS

Unit: mm



**152-390** Mass: 270 g

- The thimble can be rotated to a better reading position while maintaining the spindle position.



**152-389**

\* Other dimensions are the same as **152-390**.  
( ) : with spindle fully retracted.